

65

7 46

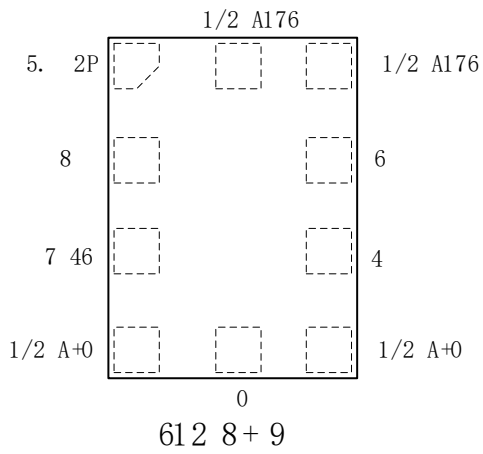
/DRU

65

695

- 7 46
- 7 46 8 8
- 7 46 /DRU
- 7 46
- 7 46
-
- 8 8

- 3 0 .

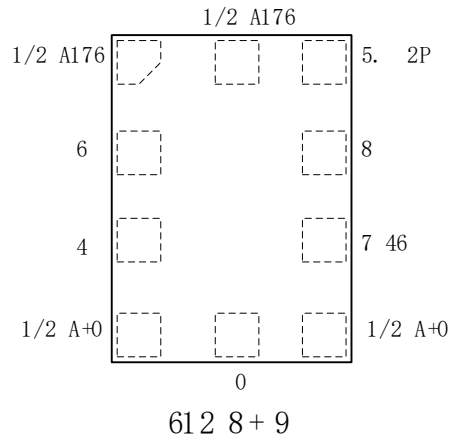


- 695
- 695
-

-
-
-
-
-
-
-

OU
 7 46
 5
 8 8
 * / -8
 5

- 3 0 .



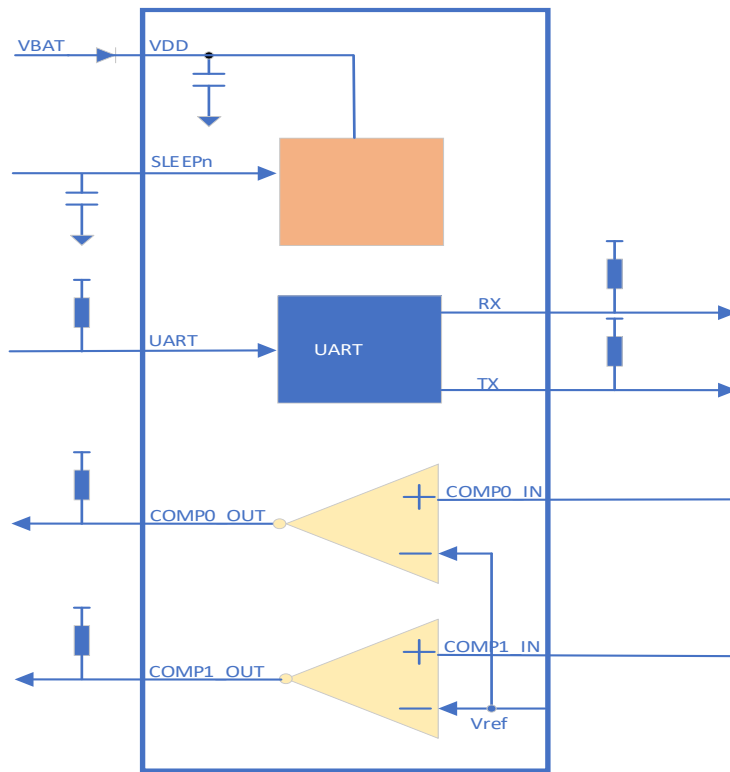
65

695

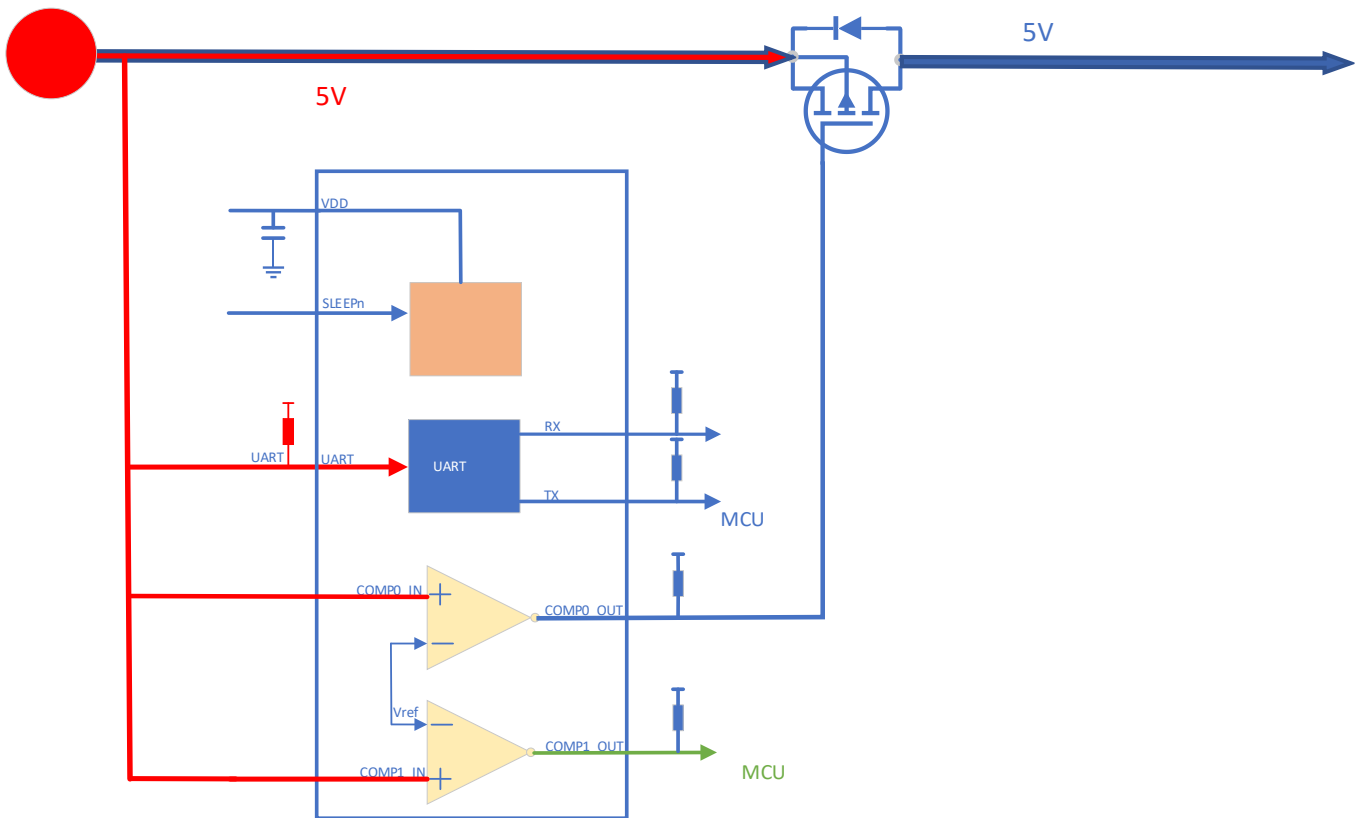
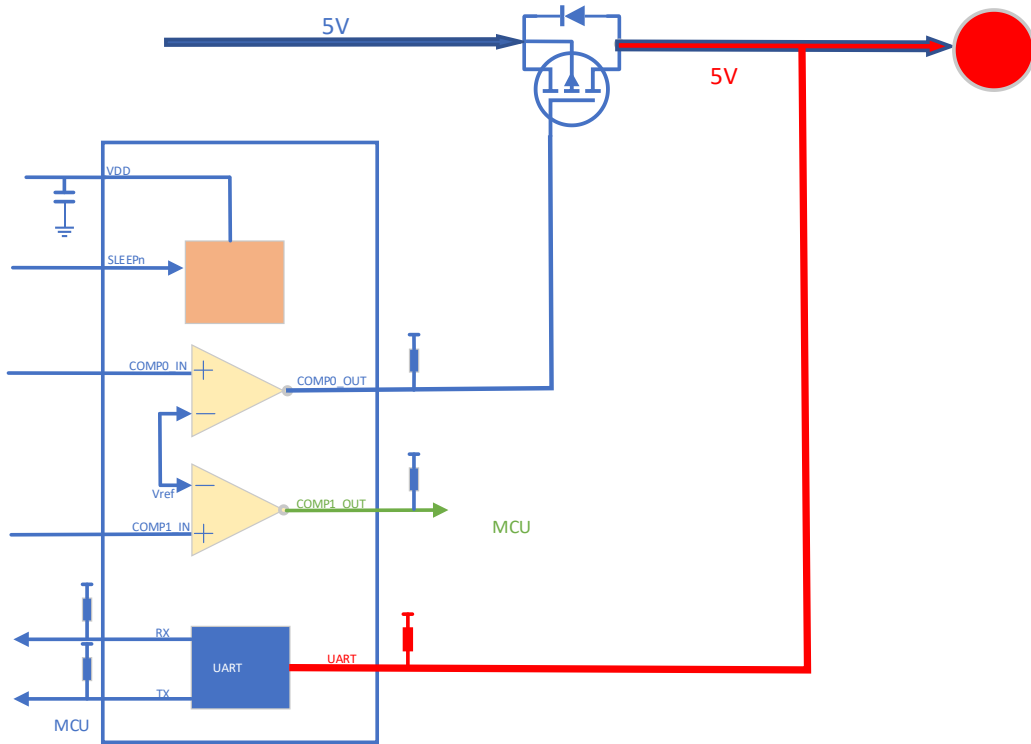
7 46

QPG KTG

695



65



695

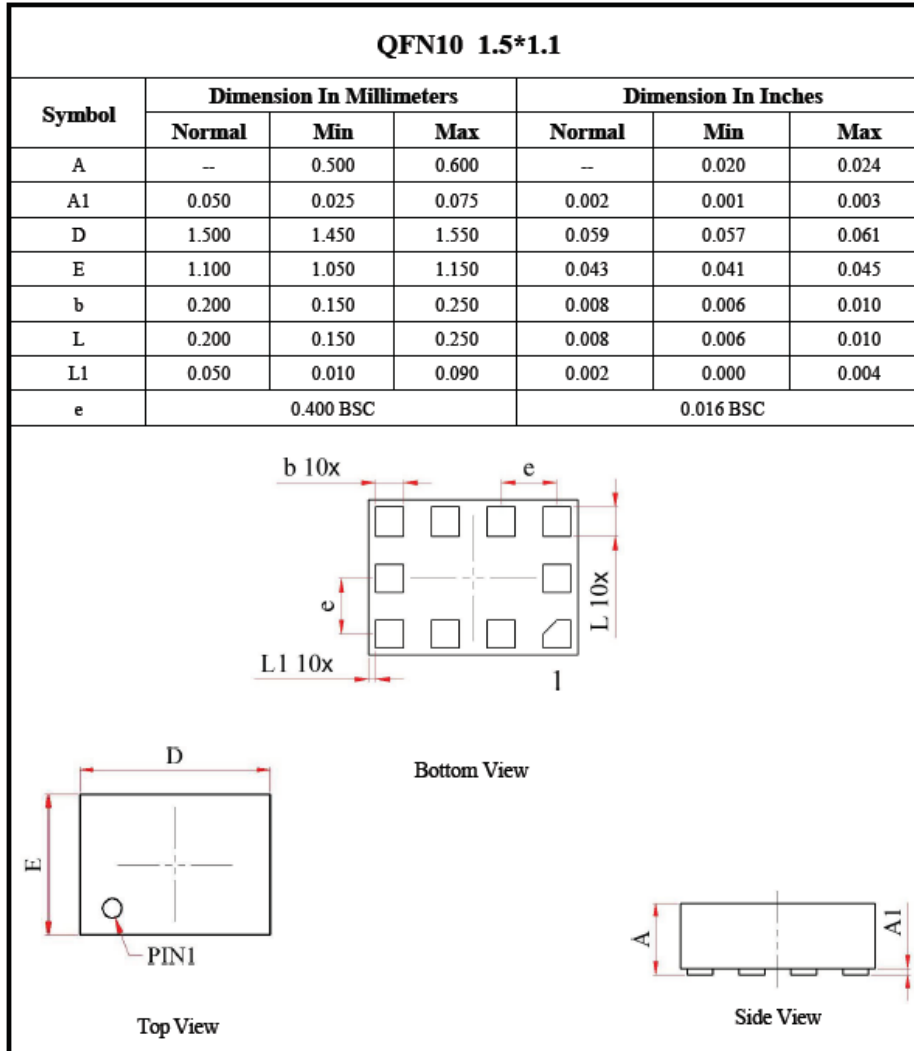
1/2 2/15 1/2 A176 2/15

1/2 1/2

1/2 A176

	5NGGRAO	KPR	FKI K CN	5. 2P 5. 2P
	8		RQ GT	8 8 . 1
	7 46	KPQ	FKI K CN	7 46 1 8 8 /
	1/2 A+0	KPR	CPCNQI	
	0		RQ GT	
	1/2 A+0	KPR	CPCNQI	
	4	KPR	FKI K CN	7 46 8 8 / 8 8 8
	6	Q R	FKI K CN 1	7 46 QRGP FTCKP 8 8 8 8 8
	1/2 A176	Q R	FKI K CN 1	1 65 2/15
	1/2 A176	Q R	FKI K CN 1	1 695 65

3 0



	3 0

1. ;
- 2.

